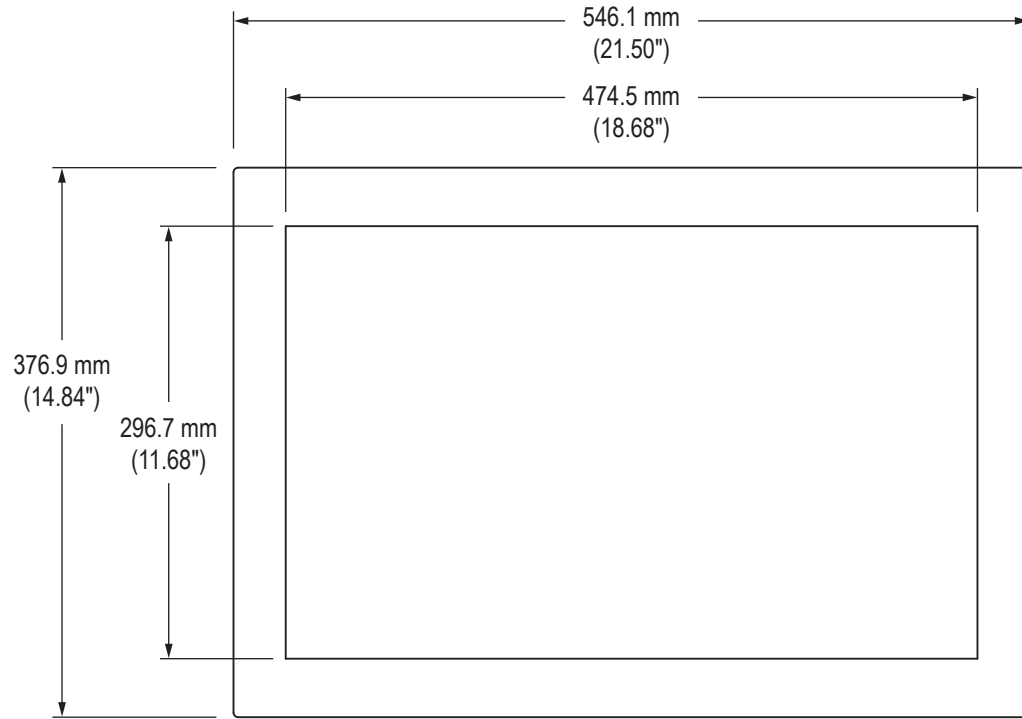
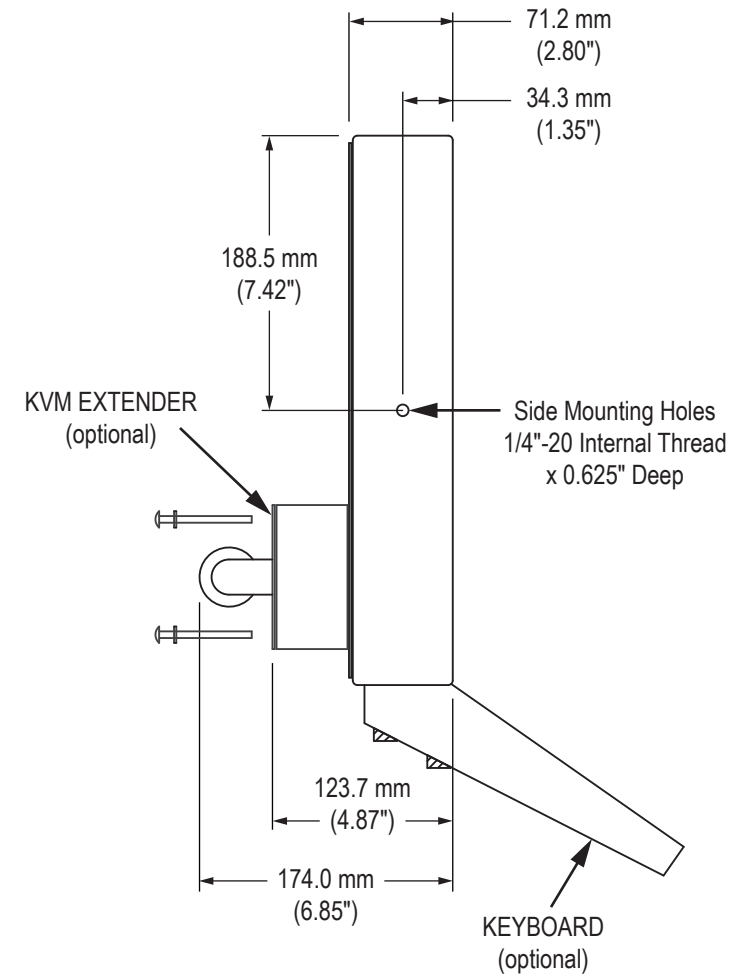


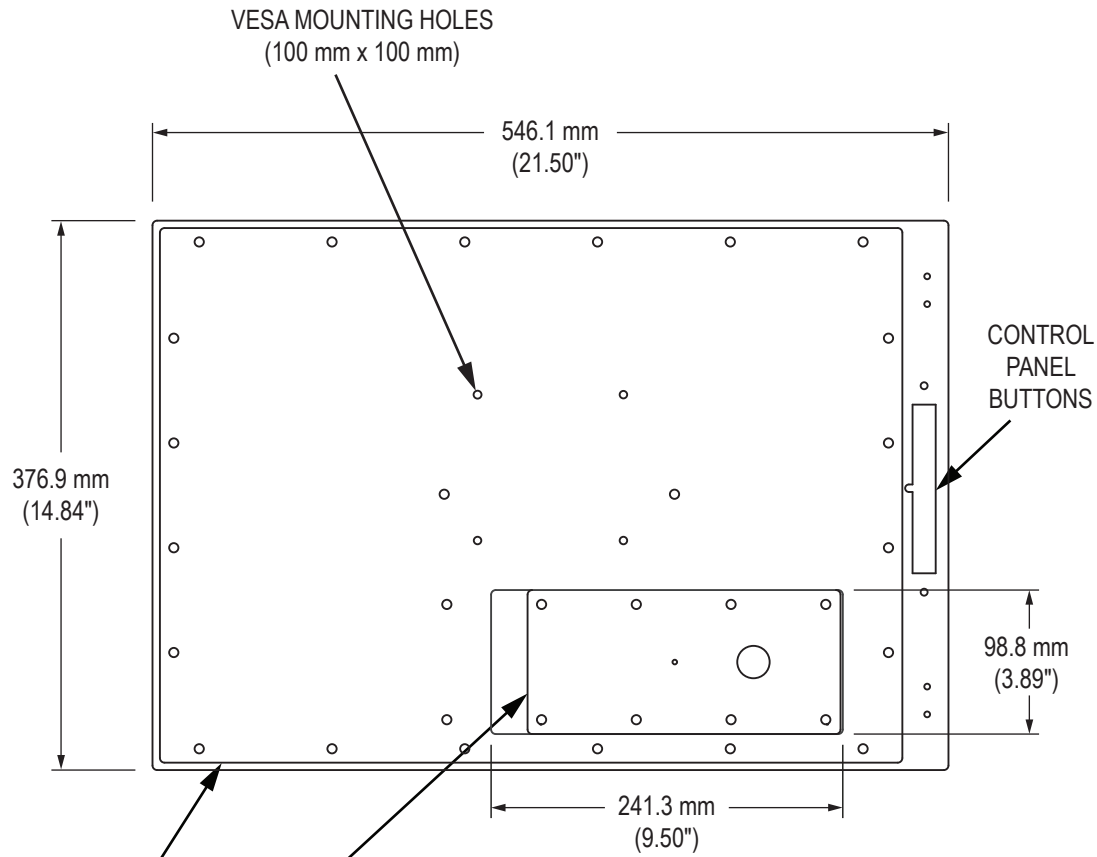
Front View



Side View



### Rear View



REAR PANEL

CABLE ENTRY (4 Models):  
 NEMA 2, 12/4, or 12/4/4X Compression Gland  
 NEMA 12/4 or 12/4/4X Conduit Cable Exit  
 NEMA 12/4 or 12/4/4X PermaGland  
 NEMA 12/4 or 12/4/4X Cover Plate with Pilot Hole



**Hope Industrial Systems, Inc.**

Toll Free: (877) 762-9790 · International: +1 (678) 762-9790  
 UK: +44 (0) 20 7193-2618 · E-mail: support@HopelIndustrial.com

Part Number: HIS-UM22

Revision: A

Date: 2010.07.31

Page 2 of 2

NOTES: