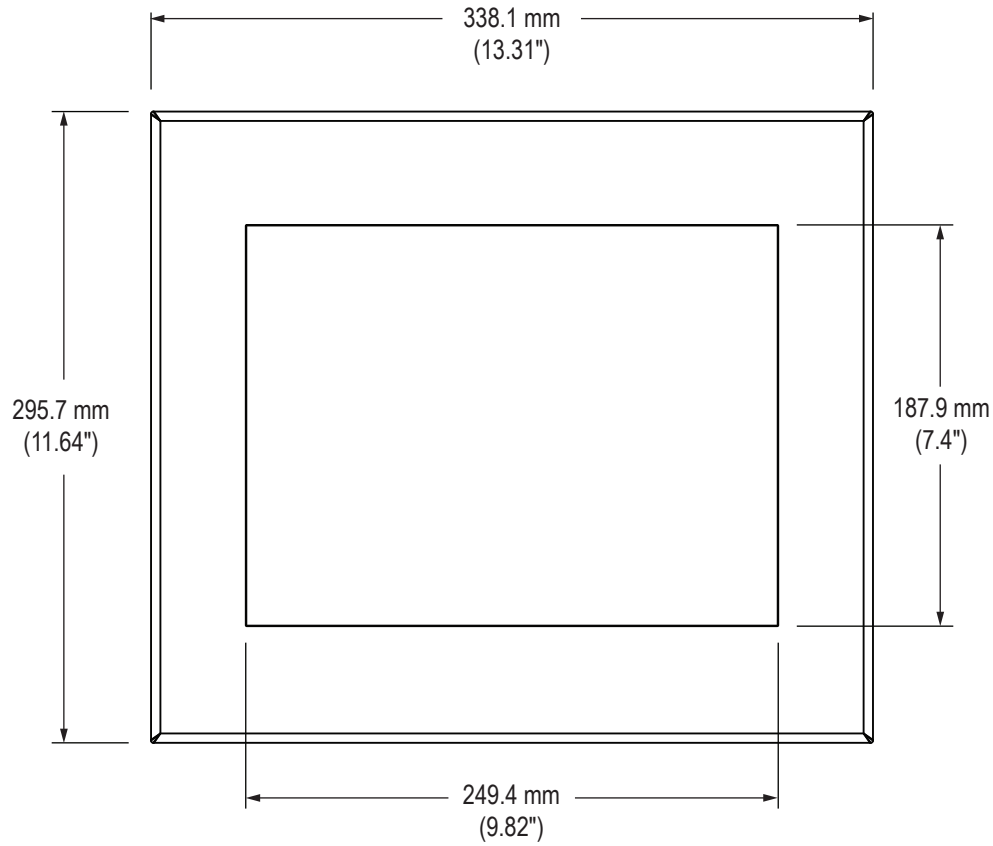
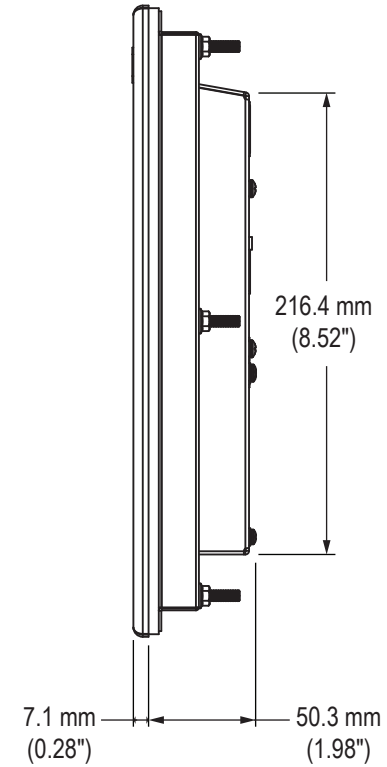


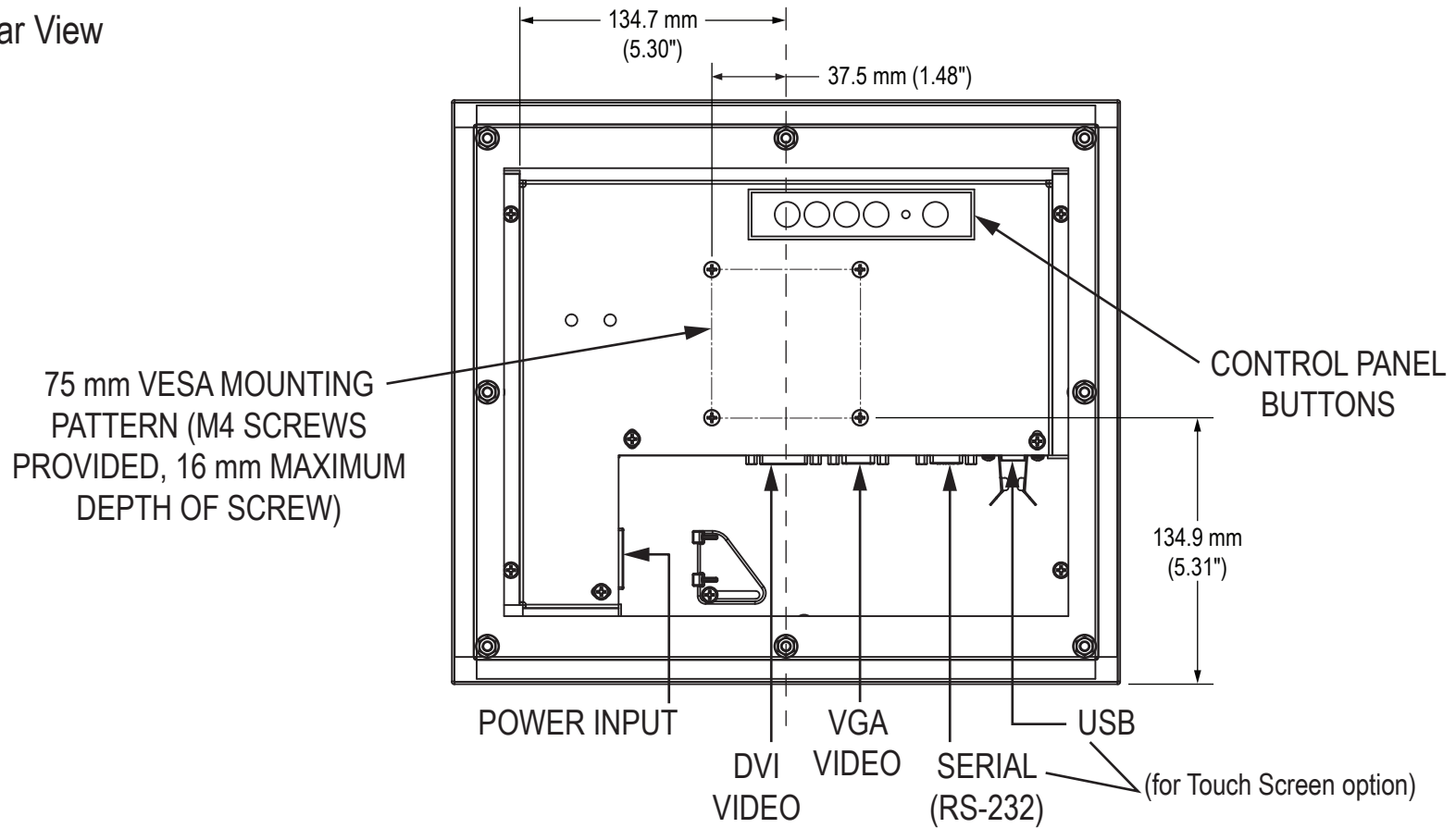
Front View



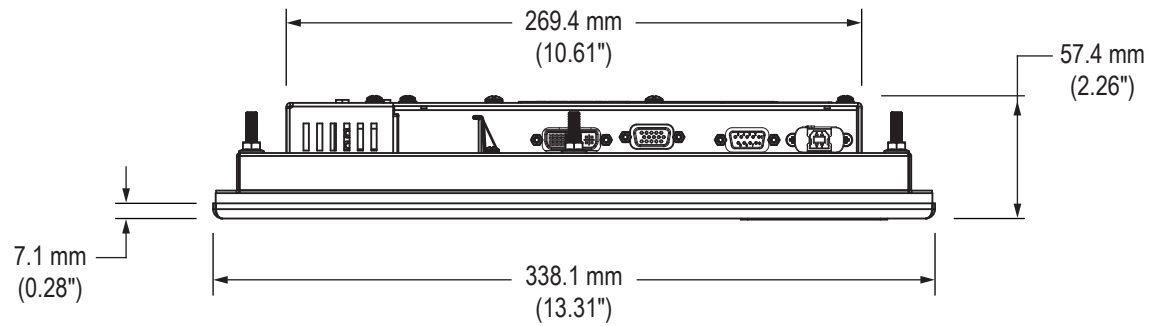
Side View



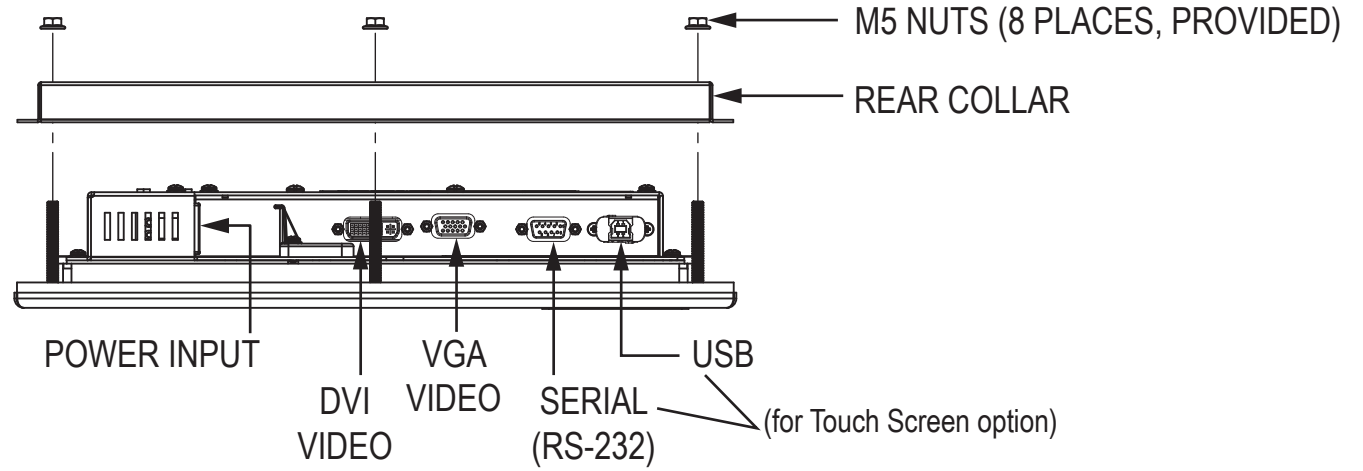
Rear View



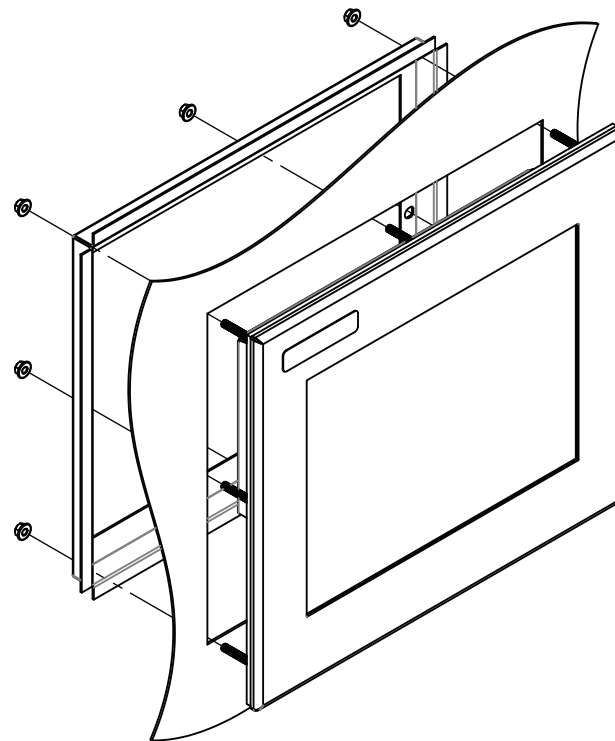
Bottom View



Bottom View (showing Cable Connections)



Mounting Diagram



Rear View (showing Cutout Dimensions)

